

TECNIUM®



TECNIUM®

塑料离心电机泵 PLASTIC CENTRIFUGAL MOTOR PUMPS

PUMPS



TECNIUM, since 1957 optimizing industrial processes

卧式化工泵—HORIZONTAL CHEMICAL PUMPS

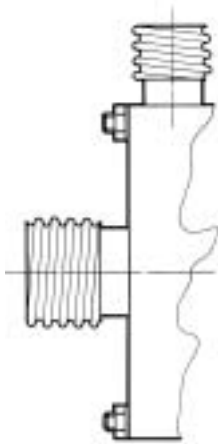


带机械密封 WITH MECHANICAL SEAL

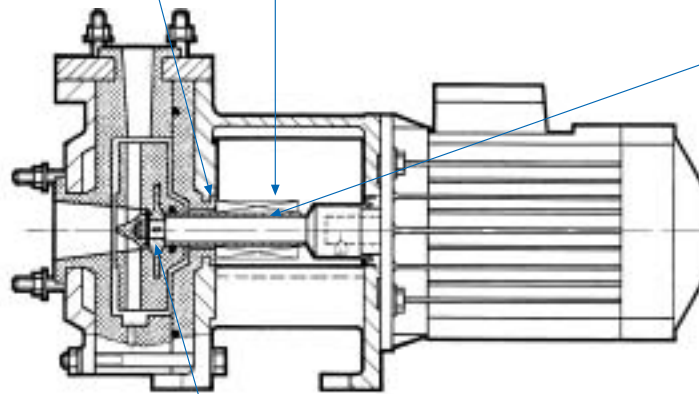
机械密封座不在塑料泵体上施加应力
Mechanical seal seating without strain upon plastic.

机械密封压盖完全防止腐蚀扩散
Mechanical seal cover prevents absolutely any corrosive dispersion.

独立于叶轮的可更换轴套
Removable shaft sleeve, independent from impeller.



BXC Model



BHC Model

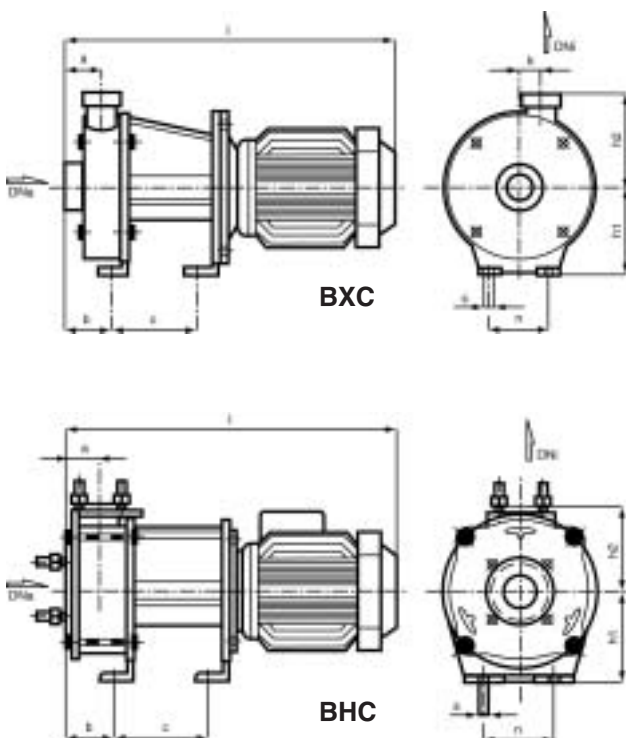


材质 Materials:
PVDF **PVC**
PP **E-CTFE**
PE **PTFE**

通过键及大接触面积铁心传递机械扭矩到叶轮
Transmission of the mechanical torque to the impeller by key and a great surface steel core.

CE
符合机械安全欧洲标准
In accordance with European directives of Safety on Machines.

外形尺寸 DIMENSIONS (mm)



	型号	a	b	c	h1	h2	k	l	n	s	DNa	DNi	法兰
BXC 系列	2.10	70	104	130	120	125	30	495	90	14	32	25	DIN 405
	3.13	72	104	156	150	152	25	610	115	14	50	32	
BHC 系列	3.12	62	88	156	150	140	-	545	115	14	50	32	DIN 2501
	3.16	80	106	156	150	160	-	615	165	14	50	32	
	4.12	80	106	156	150	140	-	615	345	14	65	40	
	4.16	80	80	362	177	160	-	720	345	14	65	40	
	4.20	100	100	362	205	180	-	740	345	14	65	40	ANSI B 16.5
	5.12	100	100	362	177	160	-	740	345	14	80	50	
	5.16	100	100	400	205	180	-	875	345	14	80	50	150 Lbs'
	5.20	100	100	400	205	200	-	920	345	14	80	50	
	6.16	100	173	325	160	200	-	920	212	14	100	65	
	8.20	125	173	363	180	250	-	1005	280	14	125	80	

*Available on request

立式化工泵—VERTICAL CHEMICAL PUMPS



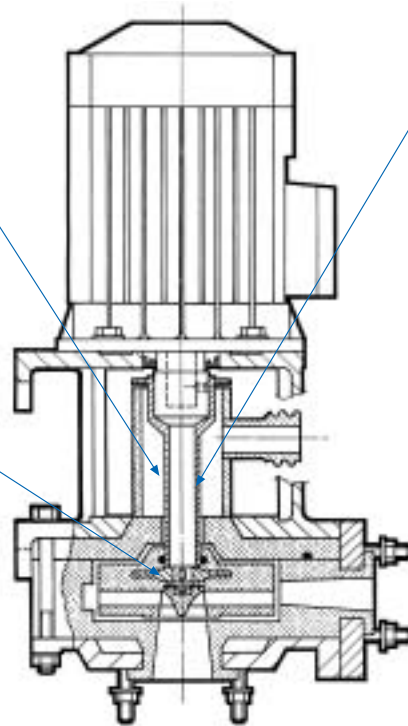
无机械密封 NO MECHANICAL SEAL

液力密封、非机械密封
Without mechanical seal.
Hydrodynamic sealing.

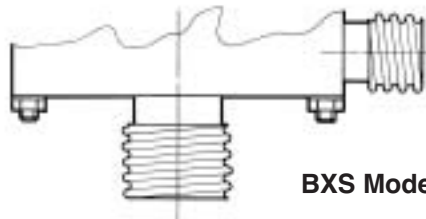
可更换的轴套
Removable shaft sleeve.

大表面铁心
Great surface steel core.

BHS Model



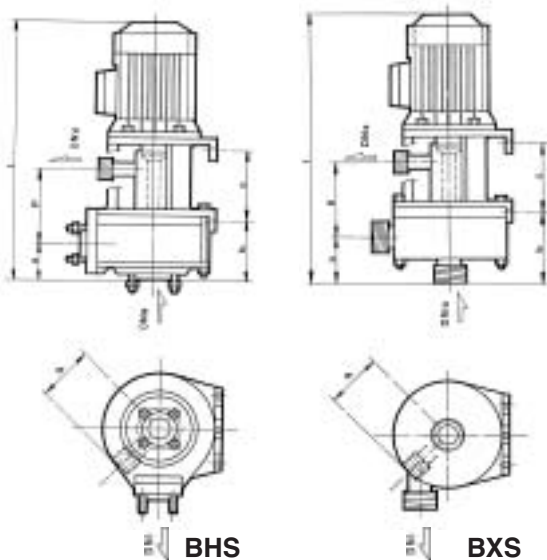
质量体系符合ISO标准
Quality system according
to ISO standards.



BXS Model

实心塑料
In solid plastic

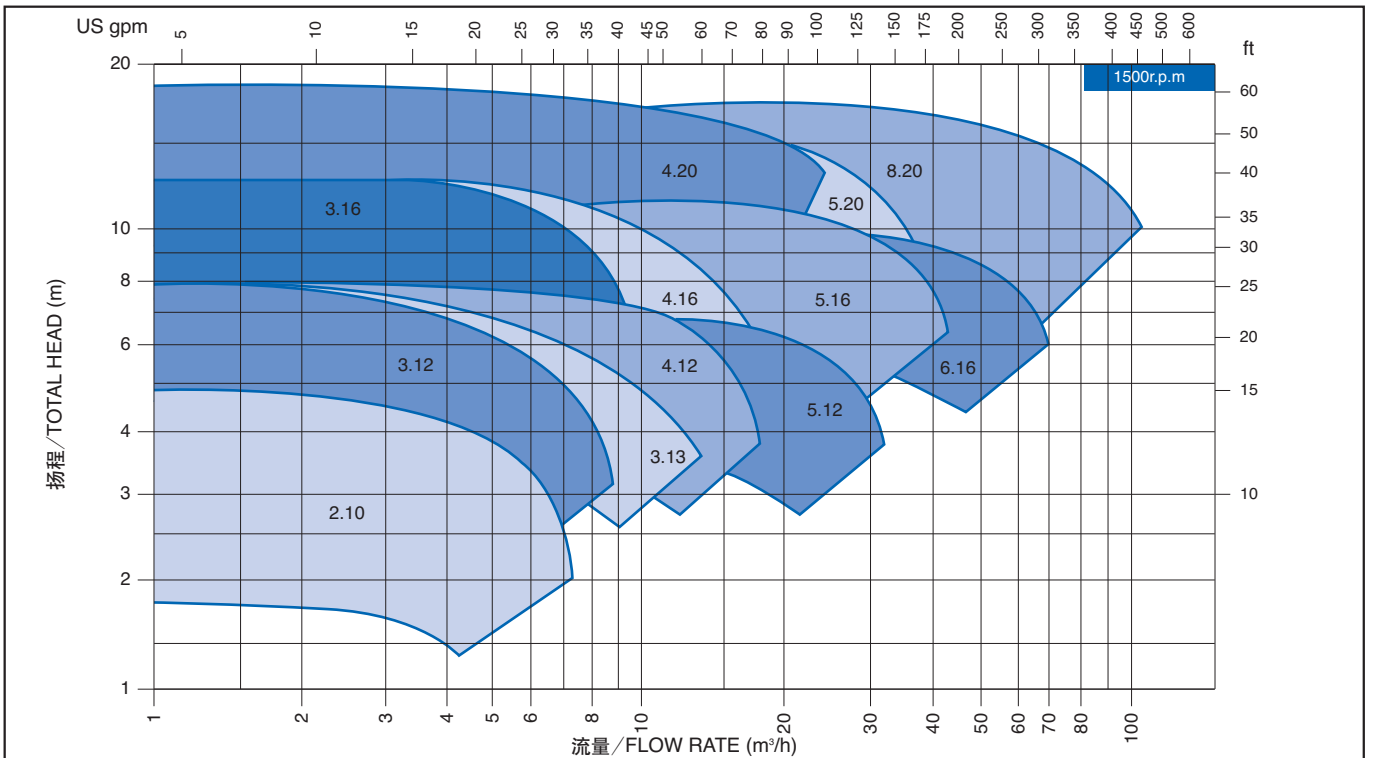
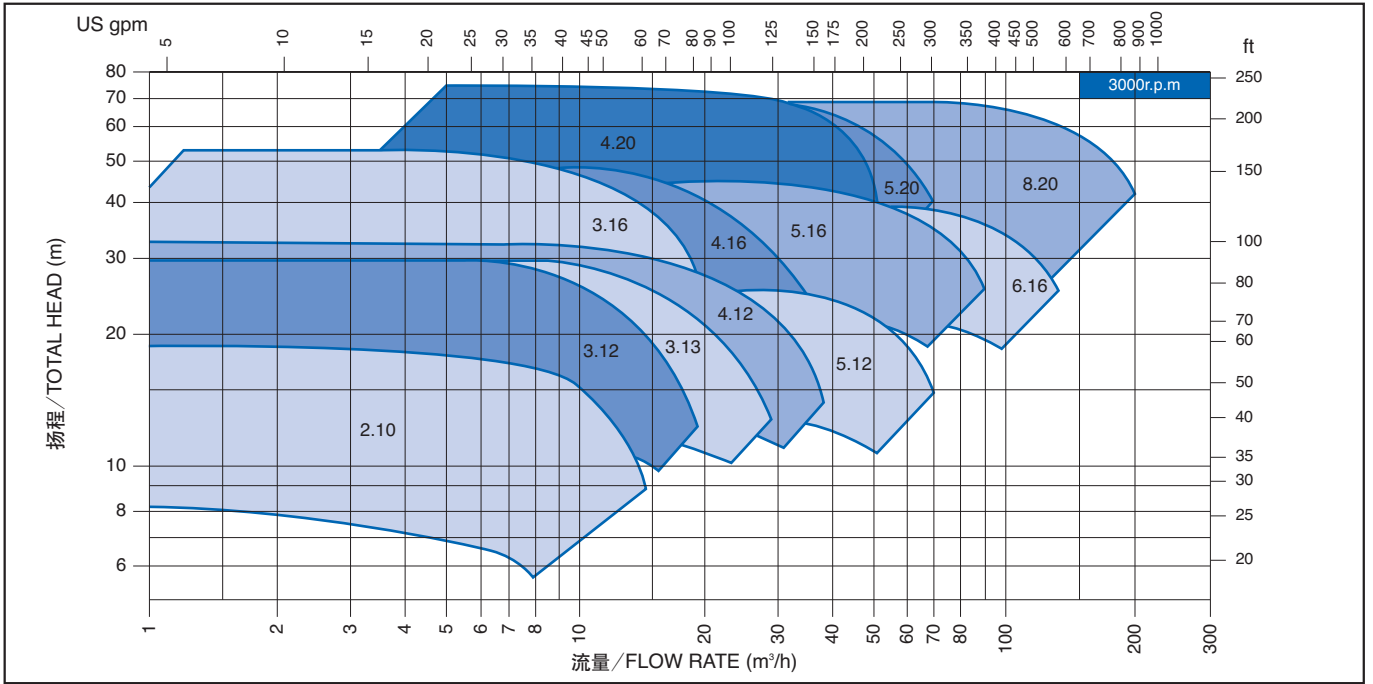
外形尺寸 DIMENSIONS (mm)



	型号	a	b	c	h1	h2	k	l	n	p	q	s	DNa	DNi	DNs	法兰
BXS系列	2.10	70	104	130	120	125	30	495	90	130	77	14	32	25	25	DIN 405
	3.12	62	88	156	150	140	-	545	115	135	85	14	50	32	32	DIN 2501
BHS系列	3.16	80	106	156	150	160	-	615	165	140	85	15	50	32	32	PN-16
	4.12	80	106	156	150	140	-	615	-	135	85	15	65	40	32	ANSI B 16.5
	5.12	100	100	362	177	160	-	740	345	160	104	15	80	50	40	150 Lbs'
	5.16	100	100	400	205	180	-	875	345	200	104	15	80	50	40	150 Lbs'

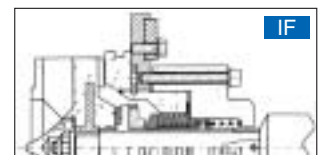
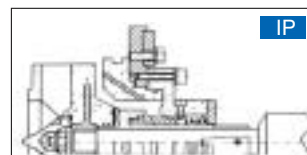
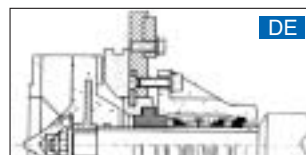
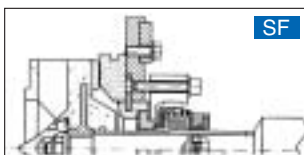
*Available on request

50Hz泵选型图 50Hz PUMP SELECTION CHART

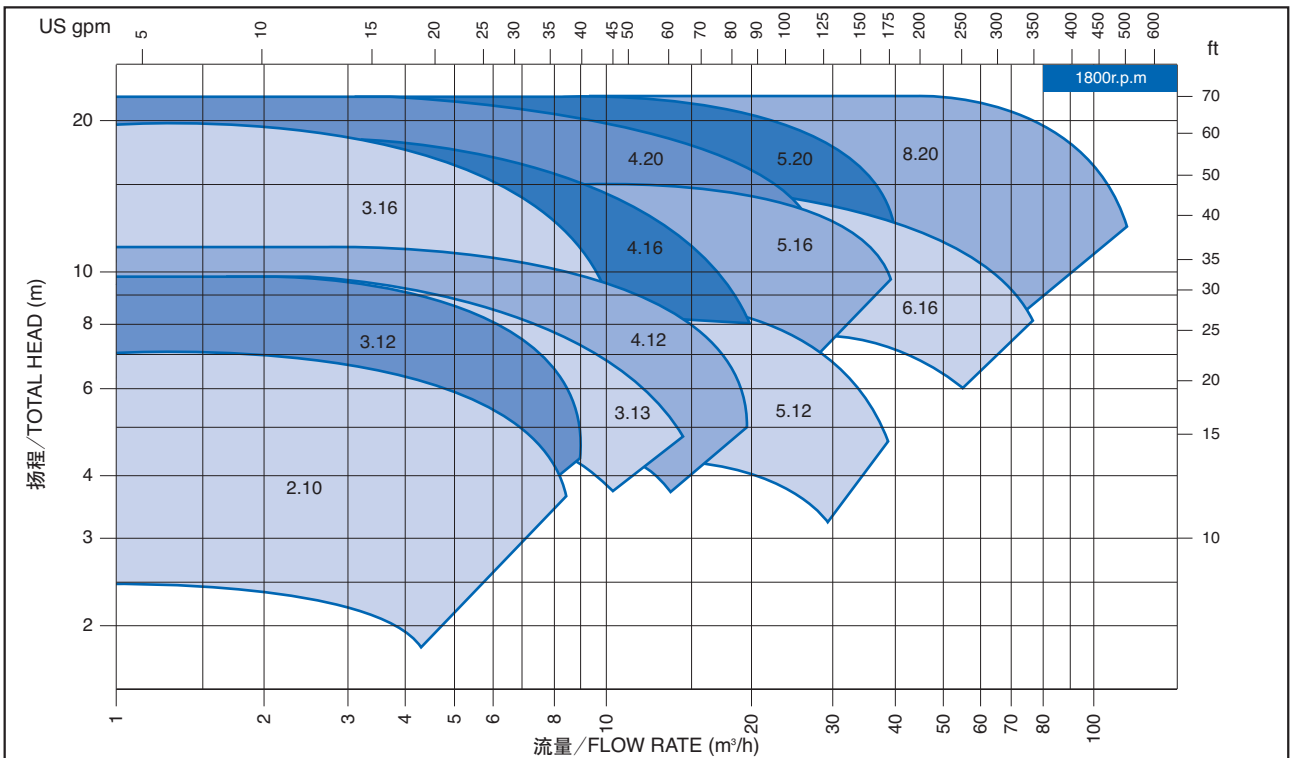
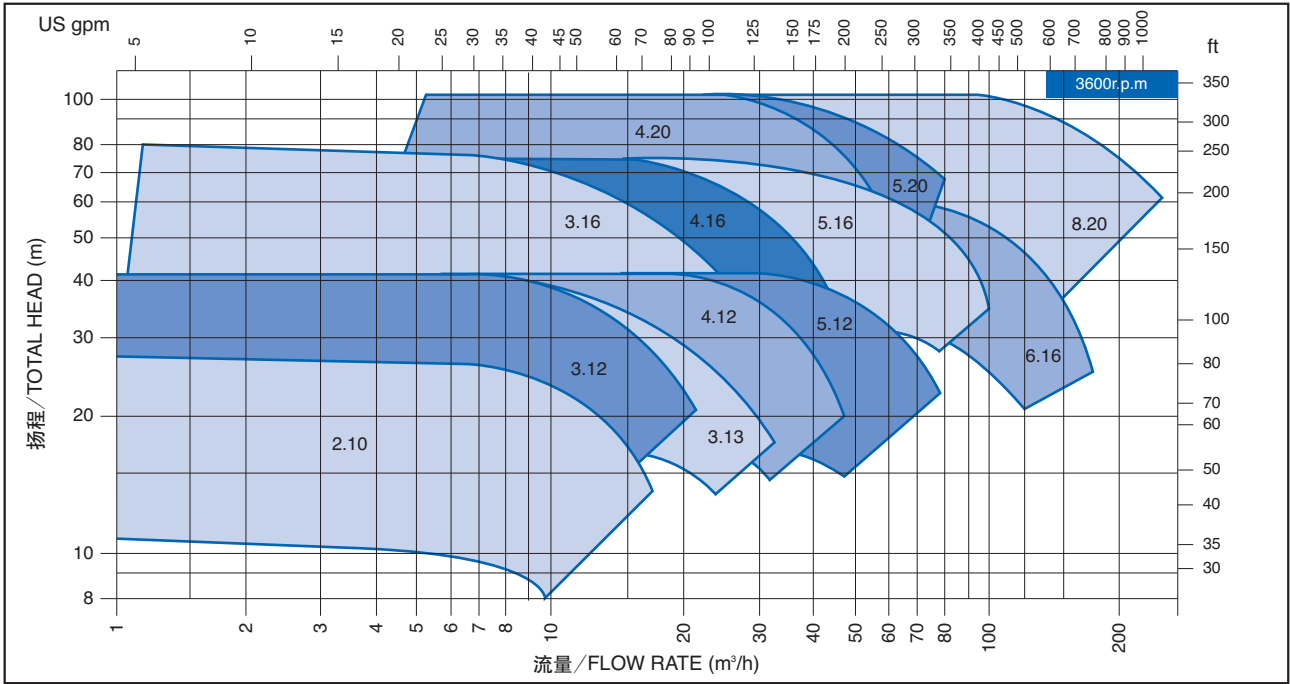


我们选择的机械密封满足腐蚀及磨蚀的需要，常用的密封：
 SF：波纹管单端面外部密封
 DE：双端面外部密封
 IP：碳化硅 (SiC) 内部密封
 IF：PTFE波纹管静环内部机械密封

Our mechanical seals are selected to respond the corrosion and abrasion requirements. The seal systems more used are:
SF: simple external seal with bellow.
DE: double external seal.
IP: internal seal with silicon carbide (SiC)
IF: internal seal, PTFE bellow stator.



60Hz泵选型图 60Hz PUMP SELECTION CHART



识别码

由五个字母和一组数字组成

字母1和2: =泵系列

字母3: C=卧式泵

S=立式泵

字母4和5: 说明泵体, 叶轮和轴套的材质

DESIGNATION

consist of a letter group followed by a figures group, its meaning is:

1.st and 2.nd letter: =Series

3.th letter: C = Horizontal pump

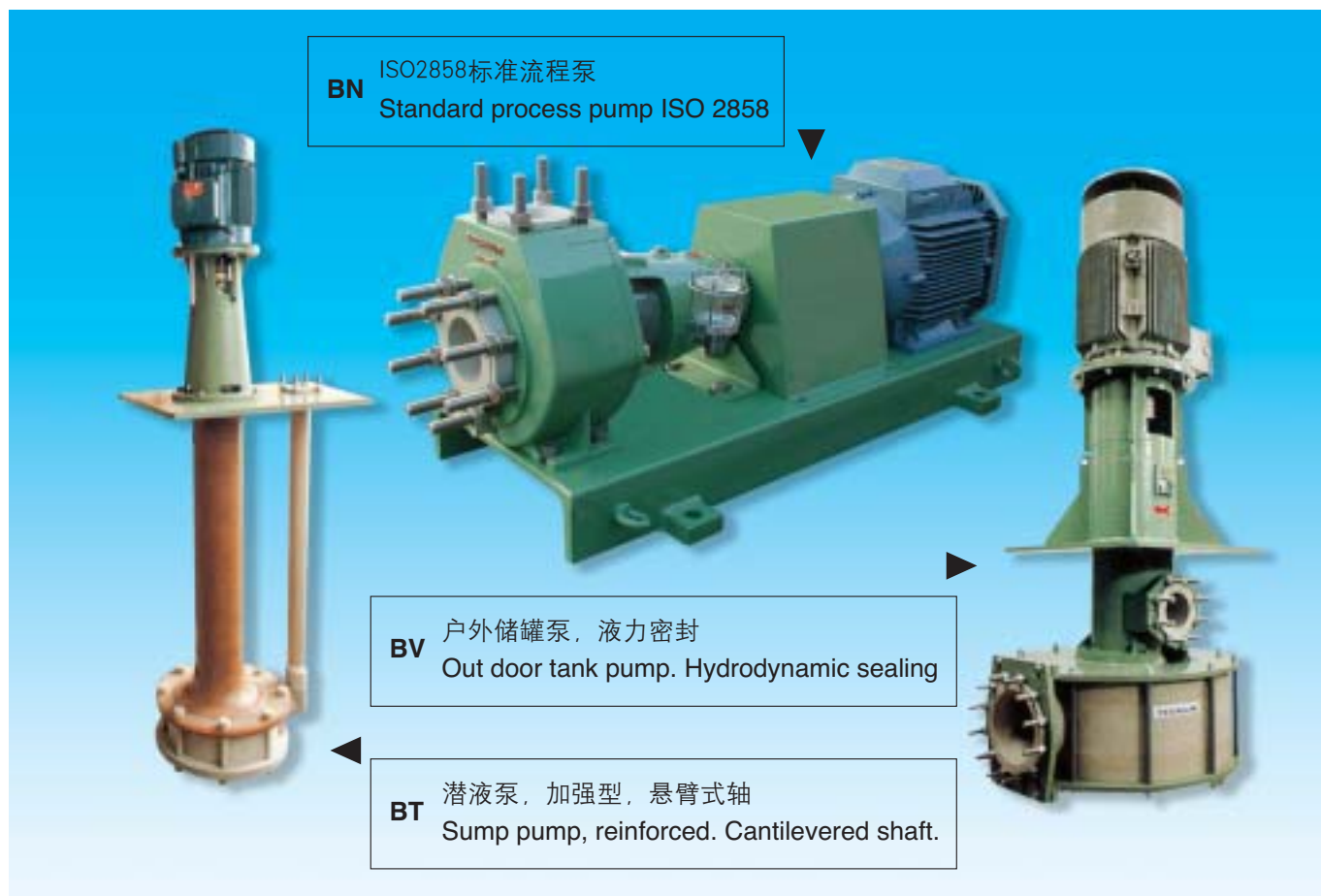
S=Vertical pump

4.th and 5.th letter: Explain the MATERIALS of casing, impeller and shaft sleeve.

材质代号Materials Keys: K=PP / L=PVDF / R=PE / V=PVC / E=PTFE / Y=E-CTFE

数字组: 定义泵的型号

Figures group: Designate the pump TYPE.



符合机械安全欧洲标准98/37/CE

In accordance with European directives of Safety on Machines 98/37/CE

QUALITY SYSTEM

质量体系执行ISO9001-2000标准

Quality system according to ISO 9001-2000

ATEX

可以提供符合94/9/CE标准安装在防爆场合的系列泵

Available versions according to directive 94/9/CE for equipments installed in ex-proof zones classified

大连泰克尼姆环保设备有限公司
Dalian Tecnum Environmental Equipment Co.,Ltd.
E-mail: info@tecnum.cn Website: <http://www.tecnum.es>