

TECNIUM[®]



标准塑料离心泵 STANDARD PLASTIC CENTRIFUGAL PUMPS

BN系列

ISO2858

EN22858



PUMPS

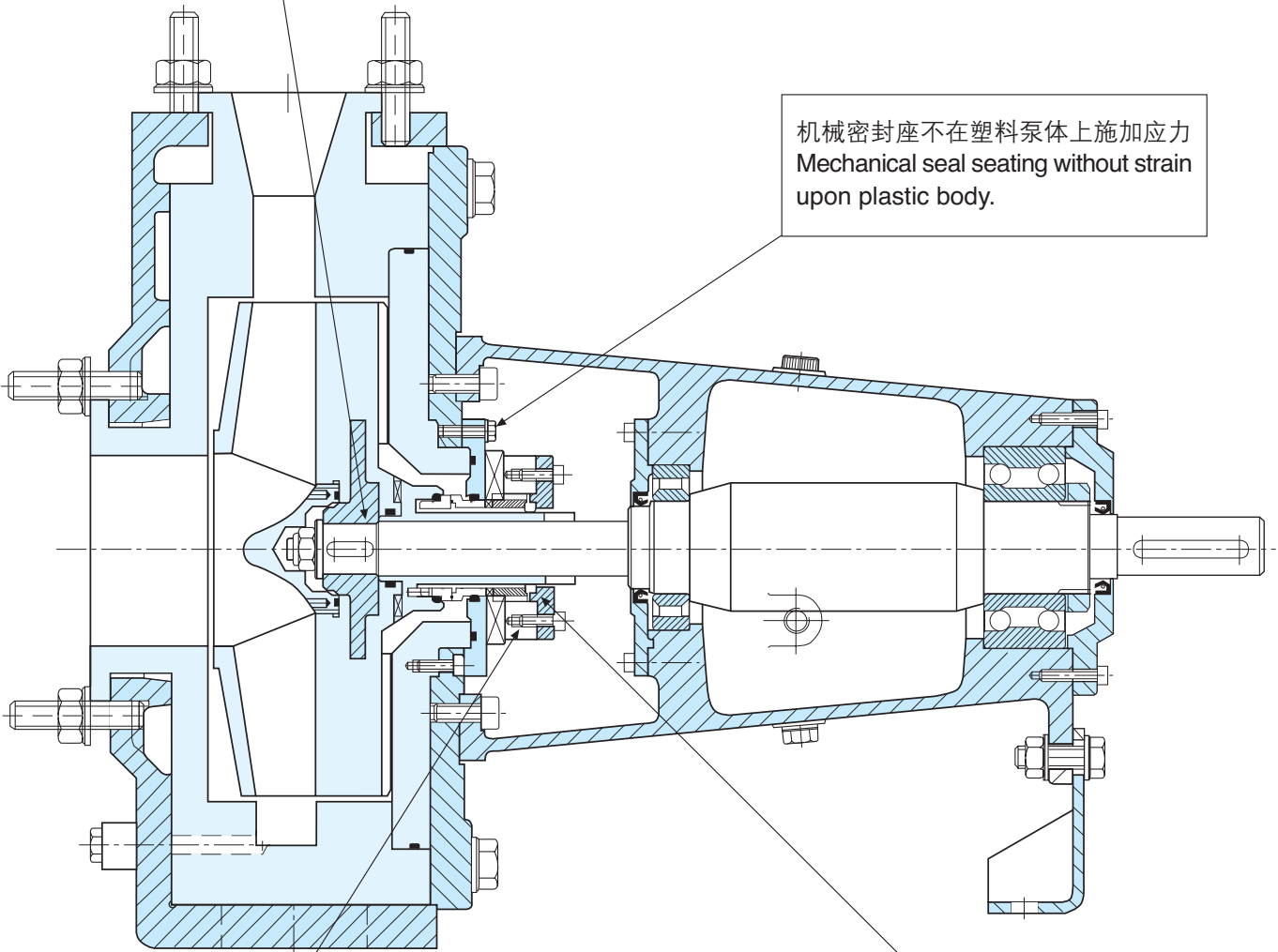
TECNIUM, since 1957 optimizing industrial processes

主要特点—MAIN ADVANTAGES

机械扭矩通过键及大接触面积铁心传递到叶轮
Transmission of the mechanical torque to the impeller by key and a great surface steel core.



机械密封座不在塑料泵体上施加应力
Mechanical seal seating without strain upon plastic body.



机械密封压盖完全防止腐蚀扩散
Mechanical seal cover prevents absolutely any corrosive dispersion.

独立于叶轮的可更换轴套
Removable shaft sleeve, independent from impeller.

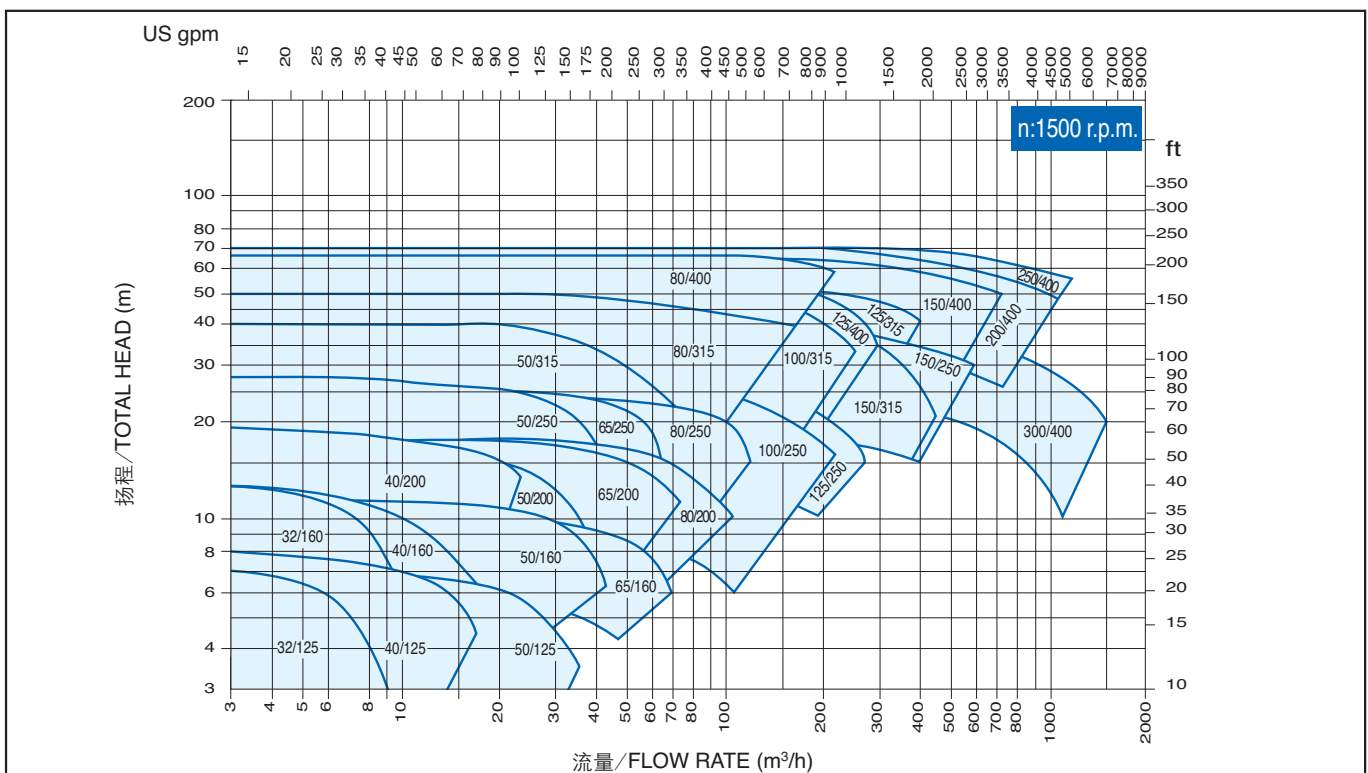
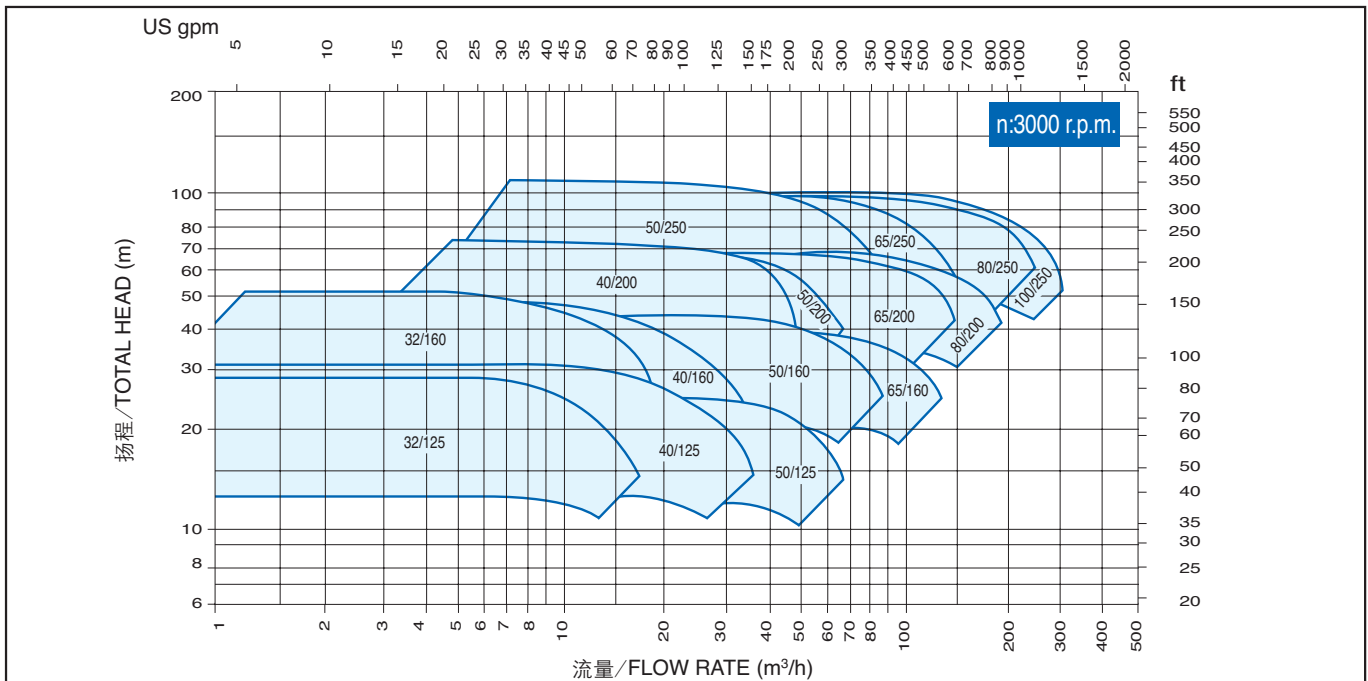
CE

符合机械安全欧洲标准98/37/CE
In accordance with European directives
of Safety on Machines 98/37/CE.

材质 Materials:

PVDF	PVC
PP	E-CTFE
PE	PTFE

50Hz泵选型图 50Hz PUMP SELECTION CHART

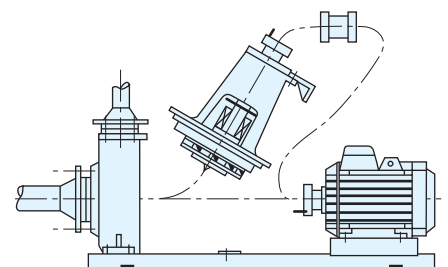


维护

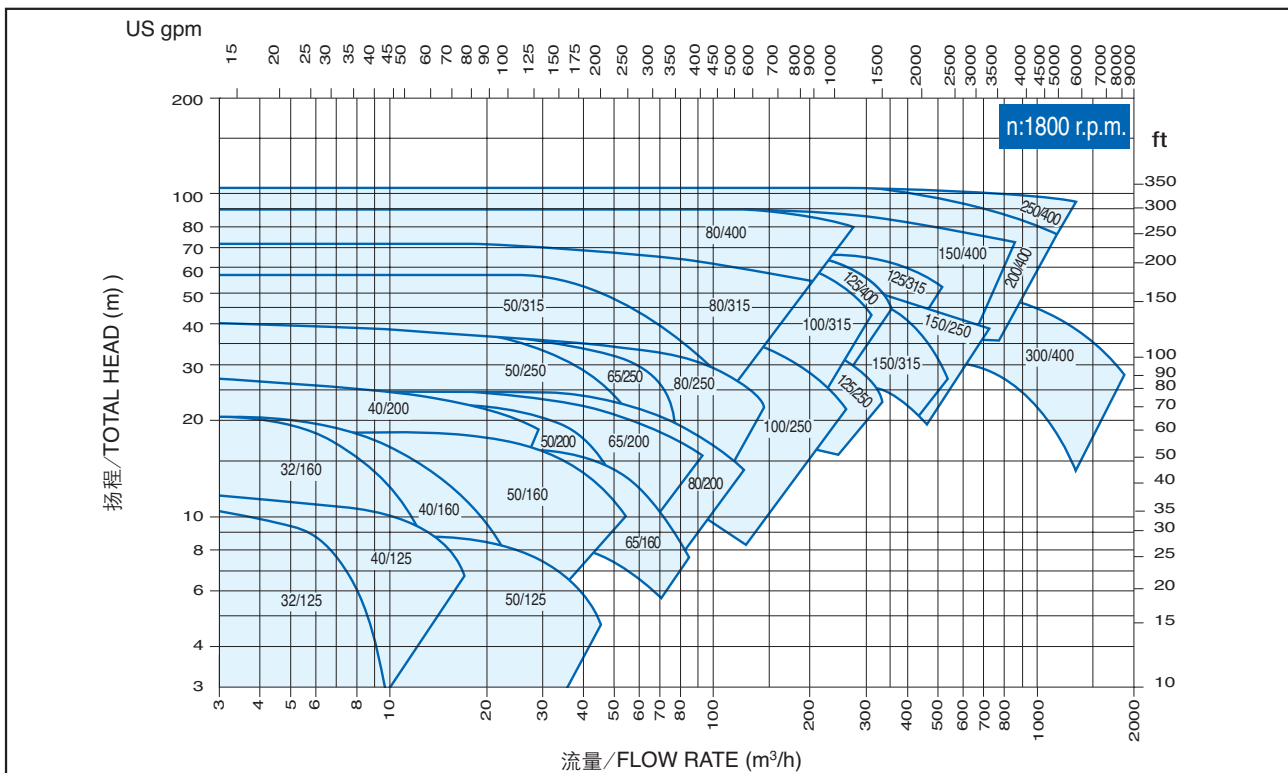
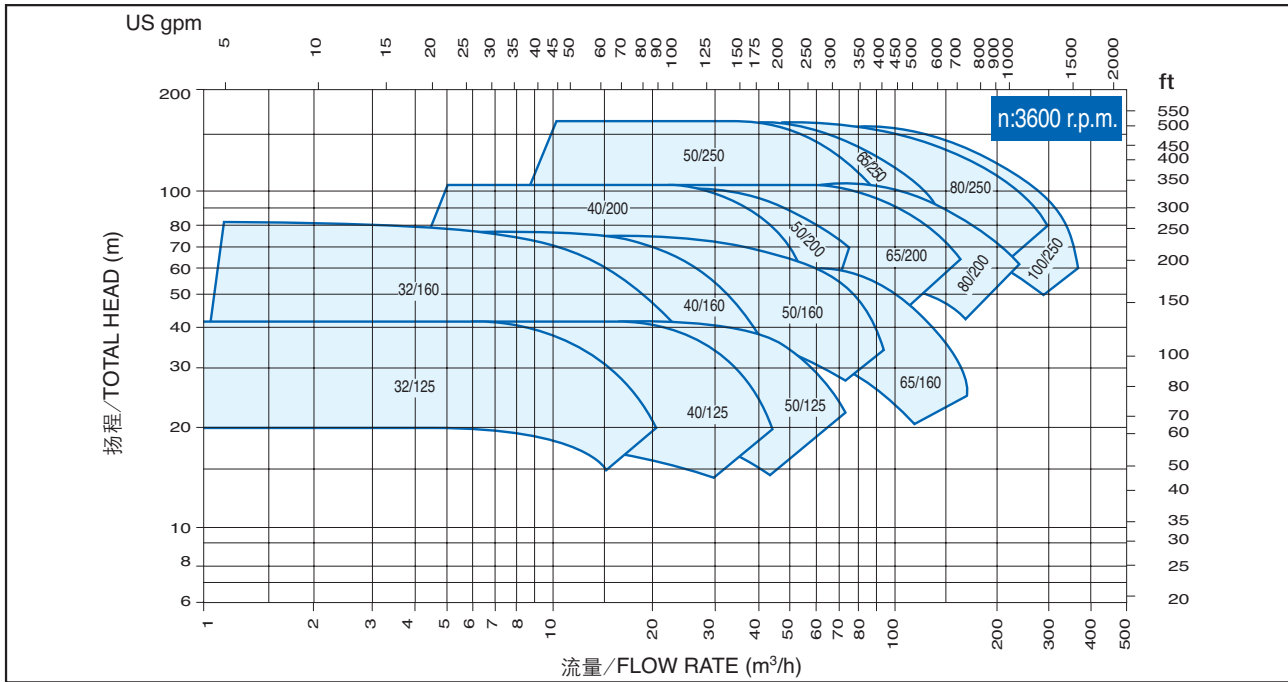
泰克尼姆泵即使在最恶劣的工业环境中，也只需最少的维护。泵的设计允许可以在不拆除进出口管路和电机情况下拆卸轴承箱体，叶轮，轴，机械密封。

MAINTENANCE

The maintenance of TECNIUM pumps is minimum, even under the hardest duty conditions of industry. Its design allows the separation of the frame, impeller, shaft and mechanical seal without disassemble the suction and discharge pipes and the motor.



60Hz泵选型图 60Hz PUMP SELECTION CHART



识别码

由五个字母和一组数字组成

字母1和2: BN=标准泵

字母3: A=光轴泵

B=带有联轴器和底座

字母4和5: 说明泵体, 叶轮和轴套的材质

DESIGNATION

consist of a group of five letters followed by a figures group, meaning are as follow:

1.st and 2.nd letter: BN=Standardized pump

3.th letter: A = Bare shaft.

B=With coupling and base plate.

4.th and 5.th letter: Explain the MATERIALS of casing, impeller and shaft sleeve.

材质代号Materials Keys: K=PP / L=PVDF / R=PE / V=PVC / E=PTFE / Y=E-CTFE

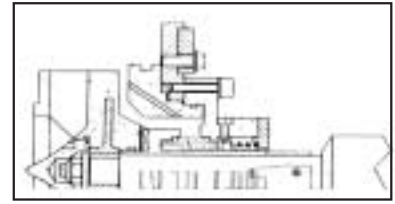
数字组: 定义泵的型号

Figures group: Designate the pump Type according to ISO 2858.

机械密封—SOME MECHANICAL SEALS



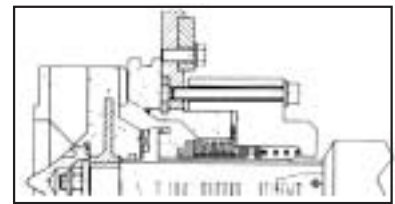
IP



—内部机械密封碳化硅 (SiC) 动静环, 合金弹簧, Viton O型圈。适用于含固体颗粒的介质。
—Internal mechanical seal with silicon carbide (SiC) rotor and stator, alloy spring and Viton o'rings. Suitable for liquids containing solids.



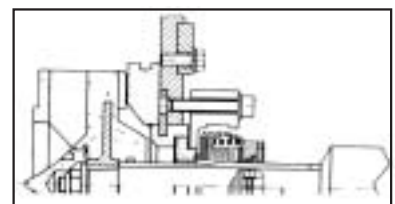
IF



—内部机械密封, 陶瓷动环 (Al_2O_3) 99.7%, 强化PTFE波纹管静环, PTFE O型圈, 适用于含少量固体颗粒的介质。
—Internal mechanical seal with ceramic rotor (Al_2O_3) 99.7% and reinforced PTFE bellow stator; PTFE o'rings. Suitable for liquids containing a small amount of solids.



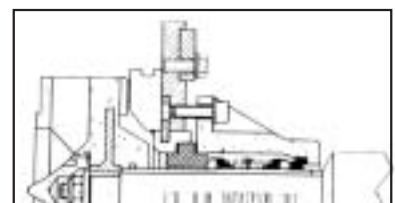
SF



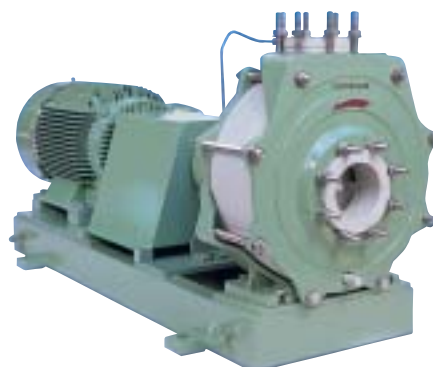
—单端面外部机械密封, 陶瓷静环 (Al_2O_3) 99.7%, 强化PTFE波纹管动环, PTFE O型圈, 适用于洁净的不含固体颗粒的介质。
—Simple external mechanical seal with ceramic stator (Al_2O_3) 99.7% and reinforced PTFE bellow rotor; PTFE o'rings. Suitable for liquids without solids.

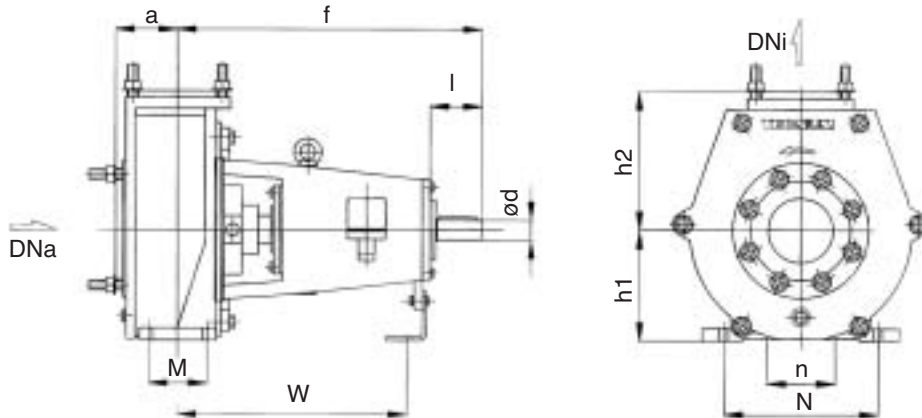


DE



—双端面外部机械密封, 陶瓷静环, 石墨动环ANSI316不锈钢弹簧, Viton O型圈。需要外部冲洗, 适用于含固体颗粒的介质。
—Double external mechanical seal with ceramic stators and graphite rotors, stainless steel ANSI 316 springs and Viton o'rings. External flushing required. Suitable for liquids containing solids.





泵 (光轴)
PUMP(bare shaft)

法兰 FLANGES
DIN-2501
ANSI 150 Lbs*

型号 TYPE	a	f	h1	h2	W	M	N	n	d	l	DNa	DNi	PN-16	
32-125	80	385	112	140	285	70	140	110	24	50	50	32		
32-160			132	160			190							
40-125	80	385	112	140	285	70	160	110	24	50	65	40		
40-160			132	160			190							
40-200	100		160	180			212							
50-125	100	385	132	160	285	70	190	110	24	50	80	50		
50-160			160	180			212							
50-200			200	212			212							
50-250	125	500	180	225	370	95	250	110	32	80	100	65		
50-315			225	280			280							
65-160	100	500	160	200	370	95	212	110	32	80	125	80		
65-200			180	225			250							
65-250			200	250			280							
80-200	125	500	180	250	370	95	280	110	32	80	150	125		
80-250			225	280										
80-315		530	250	315		120	315		110	42				110
80-400			280	355			355							
100-250	140	530	225	280	370	120	315	110	42	110	200	150		
100-315			250	315										
125-250	140	530	250	355	370	120	315	110	42	110	250	200		
125-315			280	355		150	400							
125-400			315	400										
150-250			530	280		375	370							150
150-315	160	670	315	400	500	150	450	140	48	110	300	300		
150-400			315	450										
200-400	200	700	370	470	500	200	550	140	60	125	300	300		
250-400	250	1002	420	600	725	200	575	140	70	110	300	300		
300-400	260	1002	420	600	725	200	575	140	70	110	300	300		

*Available on request