



TECNIUM

# TECNIUM Pumps



## MOTOR PUMPSS

### SERIES BH: Process motor-pumps

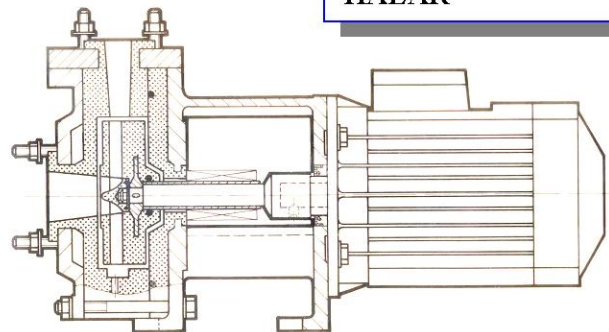


- Flow rate up to 250 m<sup>3</sup>/h (1.000 gpm).
- Total head up to 100 m.l.c. (330 ft).
- In accordance with European directives of Safety on Machines CÉ.
- Horizontal Version with mechanical seal.
- Vertical Version with Hydrodynamic seal (without mechanical seal).
- Optionally homologated  $\text{Ex}$  ATEX Categories 2 and 3.

#### MAIN ADVANTAGES:

- Transmission of the mechanical torque to the impeller by key and a great surface steel core.
- Mechanical seal seating without strain upon plastic body.
- Removable shaft sleeve, independent from impeller.
- Mechanical seal cover prevents absolutely any corrosive dispersion.

**MATERIALS**  
 POLYPROPILENE  
 PVC  
 POLIETHYLENE  
 PVDF  
 HALAR



#### VERTICAL VERSION, WITHOUT MECHANICAL SEAL:



- Out door tank pump.
- Without mechanical seal, with Hydrodynamic sealing.
- Dry running operation
- Specially suitable for liquids with solid particles

Our stock of pieces allows the assistance in minimum times.

**TECNIUM, since 1957 optimizing industrial processes.**

## Casals Cardona Ind. S.A.

MAIN OFFICE : F.Casablanca 24 - 08243 MANRESA - Spain

Tel. +34.93.874.84.80 - Fax +34.938 757 668

website : <http://www.tecnium.es> • e-mail : [tecnium@tecnium.es](mailto:tecnium@tecnium.es)